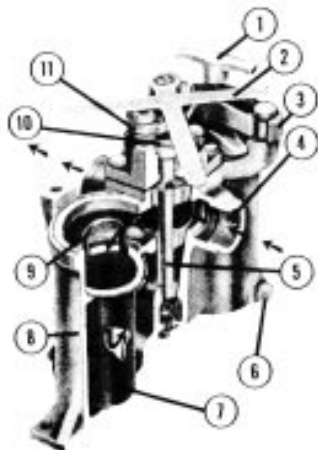




## KRAISSL DUPLEX STRAINERS & FILTERS MODEL 72 & 72F SERIES CAST BRONZE OR ALUMINUM Pressure Range - 200 PSIG



### FEATURES

- 1 - Hand clamp requires no special tools.
- 2 - Valve handle shields side in use.
- 3 - Accessible swing yoke closure for easy basket cleaning.
- 4 - Continuous flow without interruption during changeover.
- 5 - Tapered valve plug for durability.
- 6 - Drain connections on each basket chamber.
- 7 - Interchangeable strainer, filter and double element baskets.
- 8 - Bodies individually pressure tested to U.L specifications.
- 9 - Spring handle holds basket on seat.
- 10 - Independent gland for external stem packing access.
- 11 - Adjustable locking flange establishes valve clearance.



**A1698A(9604)**



### PURPOSE

Kraissl pipeline strainers and filters protect pumps, engines, nozzles, valves, heat exchangers and other expensive pipeline equipment from harmful flow contamination by catching dirt and debris. These non-ferrous models are commonly specified for cooling water.

### APPLICATION

Kraissl duplex strainers and filters provide a simple, cost effective way to separate particle impurities from fluid systems. Duplex strainers are ideal for applications where continuous flow must be maintained with no flow interruption for basket cleaning.

Kraissl strainers are listed by Underwriters Laboratories, Inc. (U.L.) and are individually tested to U.L. quality control specifications. These cast pipeline strainers are manufactured according to international standard A.S.T.M. F1199 for use in industrial and marine applications.

### DESIGN SPECIFICATIONS

Model 72 and 72F series bronze or aluminum strainers are furnished in both standard and high pressure models with flanged or NPT threaded port connections. Internal channels are 100% full-flow, having the same cross-sectional area as the equivalent pipe size. Standard pressure models are furnished with our quick-opening, hand-clamp for easy access. High pressure models are stud-and-nut body cover closures. Refer to our drawings A2346 and A2347 for sizes, ratings and dimensions.

Materials of construction include rugged cast bronze or aluminum bodies, covers, and valve plugs, and brass, stainless steel or monel baskets. Special valve plugs can also be furnished in stainless steel or other materials.

These duplex strainers have a built-in, tapered plug valve that directs flow through either side without shutting off the flow. The valve handle guard shields the side in use. The valve handle guard shields the side in use. The standard valve handle swings over the inlet port. Special reverse valve handles that swing over the outlet port can also be furnished. Drain plugs are provided in each of the valve and basket chambers. An adjustable locking flange holds the valve plug on its seat. A separate external gland is provided to allow easy access to valve stem packing without complete disassembly, even while in service.

Strainer baskets are fabricated from perforated metal. The smallest common perforation size is 1/64 inch in brass and 1/32 inch in stainless steel. Filter baskets are manufactured by using fine mesh wire cloth over supporting perforated metal. Interchangeable strainer, filter and double element baskets provide a flexible range of operating choices. The basket is held on its seat by a spring basket handle. Normal flow is through the interior of the basket which then contains the collected debris when the basket is lifted out for cleaning. Reverse flow is also possible if desired. Magnet inserts are available to help eliminate fine metallic ferrous particles.

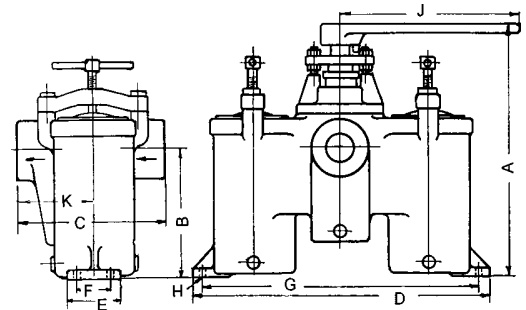
Special high pressure (H") models with stud and nut closure are supplied with balancing valve assemblies to equalize pressure and ease valve turning. These should be specified on standard pressure models when used above the following pressures: **3/4 inch through 1 1/2 inch inclusive-100 psig; 2 inch through 3 inch-80 psig; 4 inch through 8 inch-15 psig.** An optional lifting jack can be provided to lift the valve plug off its seat for ease in valve turning in rough service on sizes 1 through 4 inch. A lifting jack is standard on 5, 6 and 8 inch sizes.

**MODEL 72 & 72F SERIES - CAST BRONZE\*- DUPLEX STRAINERS  
FOR MAXIMUM WORKING PRESSURES TO 200 PSIG  
HAND CLAMP (YOKE) CLOSURE**

Stud & Nut Closure also available for higher pressures & temperatures.

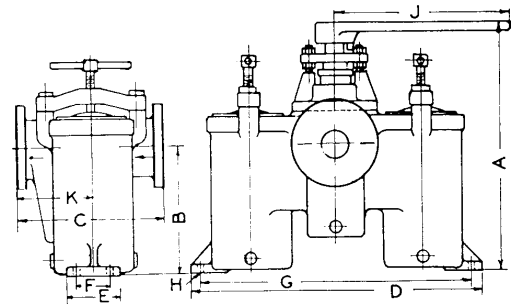
**THREADED (NPT) PORTS**

OUTLINE DIMENSIONS												
MOD. NO.	PIPE SIZE NPT	APPROX. NET WGT. LBS.	A	B	C	D	E	F	G	H	J	K
72--30	3/4"	31	10 1/8	5 1/16	5 1/4	10 7/8	2 1/4	1 1/2	10 1/8	7/16	8 1/8	2 3/4
72-32	1"	31	10 1/8	5 1/16	5 1/4	10 7/8	2 1/4	1 1/2	10 1/8	7/16	8 1/8	2 3/4
72-36	1 1/4"	55	14 1/8	7 15/16	7 1/4	14	2 1/4	1 1/2	12 3/4	7/16	12 1/8	3 7/8
72-38	1 1/2"	55	14 1/8	7 15/16	7 1/4	14	2 1/4	1 1/2	12 3/4	7/16	12 1/8	3 7/8
72-40	2"	118	14 1/2	7 1/2	10 3/8	20 3/4	3	1 7/8	19 1/2	9/16	12 1/8	5 1/4
72-42	2 1/2"	120	14 1/2	7 1/2	10 3/8	20 3/4	3	1 7/8	19 1/2	9/16	12 1/8	5 1/4



**CLASS 150 MSS\*\* FLANGED PORTS**

OUTLINE DIMENSIONS												
MOD. NO.	PIPE SIZE NPT	APPROX. NET WGT. LBS.	A	B	C	D	E	F	G	H	J	K
72-30F	1"	34	10 1/8	5 1/8	6 3/4	10 7/8	2 1/4	1 1/2	10 1/8	7/16	8 1/8	3 5/8
72-36F	1 1/4"	58	14 1/8	7 15/16	8 1/4	14	2 1/4	1 1/2	12 3/4	7/16	12 1/8	4 1/2
72-38F	1 1/2"	60	14 1/8	7 15/16	8 1/4	14	2 1/4	1 1/2	12 3/4	7/16	12 1/8	4 1/2
72-40F	2"	128	14 1/2	7 1/2	10 3/8	20 3/4	3	1 7/8	19 1/2	9/16	12 1/8	5 3/4
72-42F	2 1/2"	130	14 1/2	7 1/2	10 3/8	20 3/4	3	1 7/8	19 1/2	9/16	12 1/8	5 3/4
72-44F	3"	143	17 3/4	10 3/4	10 7/8	20 3/4	3	1 7/8	19 1/2	9/16	12 1/8	6 1/4
72-48F	4"	285	20 1/8	12 3/4	14 3/4	25 1/4	3 1/4	2	24	5/8	12 1/8	8 1/4
72-50F***	5"	389	26 1/8	15 3/8	17 3/4	27 3/4	3 1/4	2	26 1/2	5/8	14	9 7/8
72-52F***	6"	697	26 7/8	15 3/8	20 1/2	34 1/4	3 1/4	2	33	5/8	14	11 5/8
72-54F***	8"	1600	37 5/16	15 9/16	32 1/2	47 3/8	10 3/4	9	47	5/8	14	15 1/2



\*ASTM B62 (standard). ASTM B61 and other materials to order.

\*\*Navy or other flanged connections available to order.

\*\*\*Includes standard lifting jack.

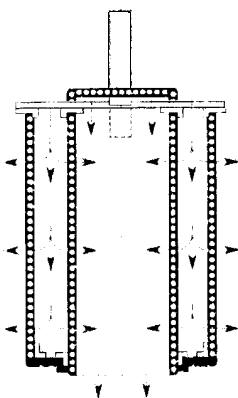
Dimensions are in inches and subject to casting and production variations.

**SINGLE ELEMENT BASKET DATA**

Use Double Element Baskets for greater straining area.

**DOUBLE ELEMENT BASKETS**

These units can be supplied with our patented double-element baskets which are easily disassembled for cleaning and provide greater straining areas in the same housing.



A1698A(9604)

CAT. NOS.	INCH PIPE SIZE	INTERNAL PIPE AREA SQ. IN.	BASKET DIMENSIONS		TOTAL SCREEN AREA SQ. IN.	APPROX. OPEN SCREEN AREA SQ. IN.		RATIO OF OPEN AREA TO PIPE AREA	
			O. D.	LENGTH		1/16" HOLE DIA.*	1/32" HOLE DIA.**	1/16" HOLE DIA.*	1/32" HOLE DIA.**
72-30	3/4	0.533	1 15/16	3 15/16	26.9	10.8	7.5	20.3:1	14.1:1
72-30	1	0.864	1 15/16	3 15/16	26.9	10.8	7.5	12.5:1	8.7:1
72-36	1 1/4	1.495	1 15/16	6 3/8	41.8	16.7	11.7	11.2:1	7.8:1
72-38	1 1/2	2.036	1 15/16	6 3/8	41.8	16.7	11.7	8.2:1	5.7:1
72-40	2	3.355	3 1/2	5 1/8	66.0	26.4	18.5	7.4:1	5.5:1
72-42F	2 1/2	4.788	3 1/2	5 1/8	66.0	26.4	18.5	5.5:1	3.9:1
72-44F	3	7.393	3 1/2	8 3/8	102	40.8	28.6	5.5:1	3.9:1
72-48F	4	12.73	4 1/8	10 1/2	149	59.6	41.7	4.7:1	3.3:1
72-50F	5	20.006	5	13	224	89.6	62.7	4.5:1	3.1:1
72-52F	6	28.891	7	11 1/2	291	116	81.5	4.0:1	2.8:1
72-54F	8	50.03	9	16	516	206	144	4.1:1	2.9:1

\* Based on 40% open area.

\*\*Based on 28% open area.

**OTHER PRODUCTS**

Our product lines of cast iron, steel and stainless steel simplex and duplex strainers including flanged, NPT and weld-end models are covered in separate bulletins. Units can also be furnished in other special metals and higher pressure / temperature ratings.

**KRAISSL COMPANY, INC.**  
299 WILLIAMS AVENUE  
HACKENSACK, NJ 07601-5225  
Phone:(201)342-0008, Fax:(201)342-0025  
E-mail: Kraissl@aol.com